

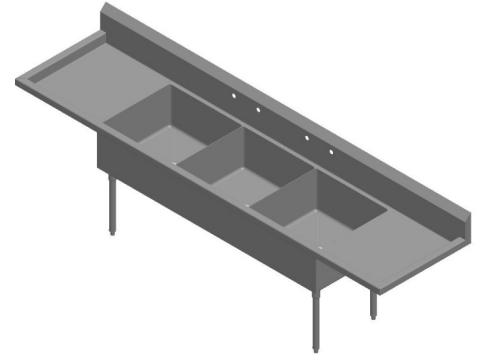
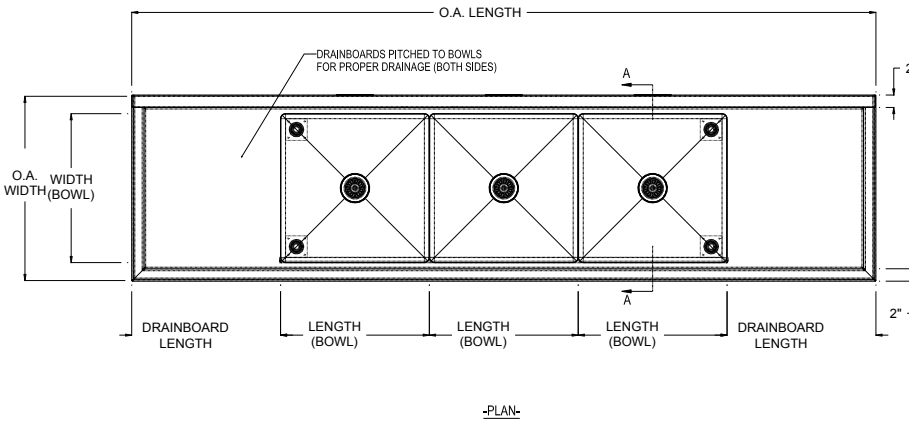


## THREE COMPARTMENT SINKS W/ TWO DRAINBOARDS

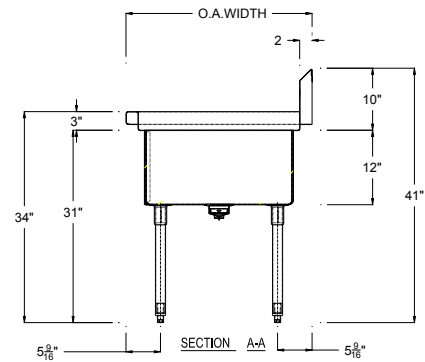
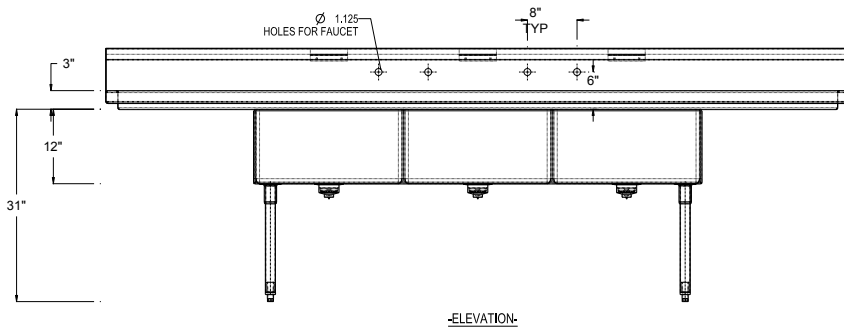
PROJECT#: \_\_\_\_\_

ITEM# \_\_\_\_\_

MODEL# \_\_\_\_\_



Model # C-3-2424-24D Shown



THREE COMPARTMENT SINKS W/ TWO DRAINBOARDS							
MODEL#	QTY	PRODUCT DIMENSIONS (INCHES)					
		LENGTH (BOWL)	WIDTH (BOWL)	DRAINBOARD LENGTH	O.A. LENGTH	O.A. WIDTH	OVERALL HEIGHT
C-3-1618-18D		16"	18"	18"	84"	24"	41"
C-3-1618-24D		16"	18"	24"	96"	24"	41"
C-3-1624-18D		16"	24"	18"	84"	24"	41"
C-3-1824-18D		18"	24"	18"	90"	30"	41"
C-3-1824-24D		18"	24"	24"	102"	30"	41"
C-3-2424-18D		24"	24"	18"	108"	30"	41"
C-3-2424-24D		24"	24"	24"	120"	30"	41"
C-3-2030-20D		20"	30"	20"	100"	36"	41"
C-3-2030-24D		20"	30"	24"	108"	36"	41"
C-3-2430-24D		24"	30"	24"	120"	36"	41"
C-3-2430-30D		24"	30"	30"	132"	36"	41"

### SINK SPECIFICATIONS:

- TOP:** 16 GA. 300 Series Stainless Steel
- SINK BOWLS:** 16 GA. 300 Series Stainless Steel
- LEGS:** 1 5/8" Diameter Stainless Steel Tubing

### CONSTRUCTION:

- ◆ Fully welded, Seamless, Polished to #4 Finish
- ◆ Euro Edge
- ◆ S/S Adjustable Bullet Feet
- ◆ Crumb Cup Drain 1 1/2" IPS
- ◆ 8" On Center Faucet Holes
- ◆ Ships with (3) Wall Mount "Z" Clip
- ◆ (2) Sets of Faucet Holes on Bowls Greater Than 18" Long
- ◆ Integral 10" Tall Backsplash